

IT-1055FG-HD-2MP IT-1055FIG-HD-2MP



2.0 Megapixel HD Network (IR) Vandal Proof Mini Dome Camera



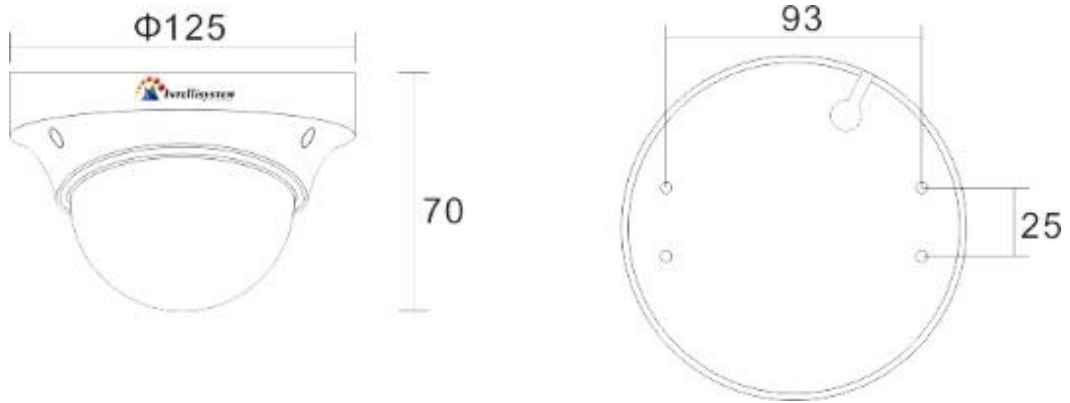
FEATURES

- HDTV 1080P Full Real-Time Transmission
- Support ONVIF, Built-in Auto Double Filter Switching Mechanism, True Day/Night
- Support 3D DNR, Mobile Surveillance, Vandal Proof IK10 & IP66 (Anti-Reflection, Scratch-Proof), (IR 20M)
- Support WDR, Support DC12V/AC24V/POE



SPECIFICATIONS

Model	Model No.		IT-1055FG-HD-2MP	IT-1055FIG-HD-2MP
	Type		2 MP HD Network Vandal Proof Mini Dome Camera	2MP HD Network IR Vandal Proof Mini Dome Camera
Camera	Sensor		1/2.8" Progress Scan CMOS	
	Resolution	Main Stream	1920*1080, 1-25(30) FPS; 1280*720, 1-25(30) FPS	
		Sub Stream	704*576, 1-25(30) FPS; 640*480, 1-25(30) FPS	
	Min. Illumination		Color 0.05Lux@F1.2; B/W 0.005Lux@F1.2	Color 0.05Lux@F1.2; B/W 0LUX (IR ON)
	IR Distance		////////////////////	20M
	S/N Ratio		≥52db	
	WDR		≥120db	
	Electronic Shutter		1~ 1/10000 sec.	
Lens		3.6mm (2.8/6/8/12mm Optional) Fixed Lens	3.6mm Fixed Lens/12pcs IR LED	
Day & Night		IR Cut Optical Filter		
Audio/ Video Setting	Video Compression		H.265/H.264 (Baseline, Main Profile)/ M-JPEG, Support Multiple Code Stream	
	Code Stream		32Kbps-16Mbps, Support CBR/VBR	
	Video Adjustment		Brightness/ Contrast / Chroma/ Saturation/ Sharpness / GAMMA	
	Intelligent Features		Intelligent Code Stream, Video Mask, Out-of-focus Detection, Intelligent Switch Control	
	Image Flip		Horizontal, Vertical, Horizontal & Vertical	
	Motion Detection		Support	
	Privacy Mask		Support	
	3D DNR		High/Medium/Low	
OSD Setting		Support Channel Name, Date Time, Code Stream Overlay		
Network	Interface		10/100 M Ethernet (RJ-45)	
	Protocol		TCP/IP, UDP, RTP, RTSP, RTCP, HTTP, DNS, DDNS, DHCP, FTP, NTP, PPPOE, SMTP, UPNP	
	ONVIF		Support	
	Access Control		Administer and Common User	
	Web Browser		IE 6.0 and Above	
	Max. User Number		≤10	
General	CVBS		////////////////////	
	Audio I/O		Support	
	Alarm I/O		////////////////////	
	Mobile Surveillance		Support	
	IP Grade		IP 66	
	IK Grade		IK 10	
	Working Conditions		-20°C ~ 60°C; 10% to 90% (Non-Condensing)	
	Power Supply		DC12V/AC24V/POE	
	Dimensions (mm)		125(Φ)x70(H)mm	
	Weight (with package)		390g	

DIMENSIONS (Unit : mm)

For Financial, Prison, Supermarket, Telecom, Government, School, Airport, Factory, Hotel and Other Indoor /Outdoor Places.